

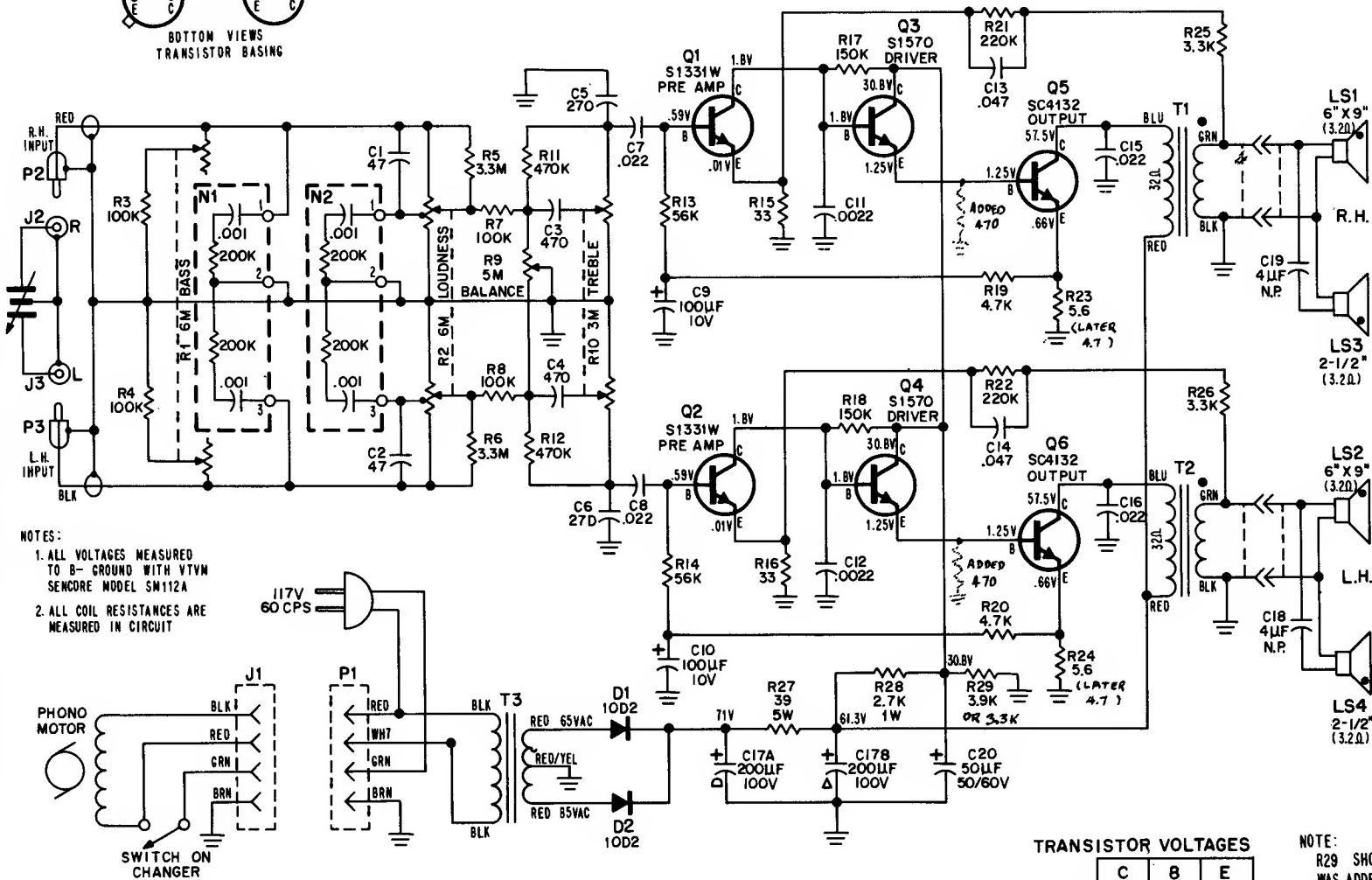
SC4132  
S1570



S1331W

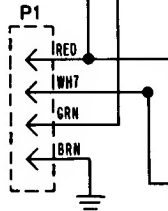
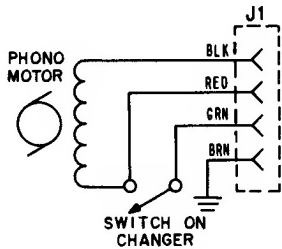


BOTTOM VIEWS  
TRANSISTOR BASING



NOTES:

1. ALL VOLTAGES MEASURED TO B- GROUND WITH VTVM SENCORE MODEL SM112A
2. ALL COIL RESISTANCES ARE MEASURED IN CIRCUIT



TRANSISTOR VOLTAGES

|          | C     | B           | E     |
|----------|-------|-------------|-------|
| PRE AMPS | Q1-Q2 | 1.8V .59V   | .01V  |
| DRIVERS  | Q3-Q4 | 30.8V 1.8V  | 1.25V |
| OUTPUTS  | Q5-Q6 | 57.5V 1.25V | .66V  |

NOTE:

R29 SHOWN  
WAS ADDED IN LATER  
PRODUCTION  
R28 WAS 8.2K IN  
EARLY PRODUCTION

Model PI513/PI515 Schematic Diagram

PHILCO Models PI513, PI515